

# 70CH Tandem Axle Car Hauler

|                            |  |                      |   |
|----------------------------|--|----------------------|---|
| <b>G.V.W.R.</b>            | 7,000#                                 | <b>Axle</b>          | (2) 3,500# EZ Lube w/ (1) Elec. Brake   |
| <b>G.A.W.R. (Ea. Axle)</b> | 3,500#                                 | <b>Supension</b>     | Multi-Leaf Spring w/ Equalizer  |
| <b>Coupler</b>             | 7,000#, 2" Forged Coupler              | <b>Tire</b>          | ST205/75R-15 Load Range C   |
| <b>Safety Chains</b>       | 1/4" Grd. 70 w/Safety Latch Hook(2 ea) | <b>Wheel</b>         | 15" x 5"; White Spoke 5 on 5 Bolt Pattern   |
| <b>Jack</b>                | 2,000# Top Wind (Bolted On)            | <b>Floor</b>         | 2" Treated Pine or Douglas Fir*   |
| <b>Tongue</b>              | 4" Channel Fold Back/Wrap Tongue       | <b>Lights</b>        | L.E.D. D.O.T. Stop, Tail, Turn & Clearance  |
| <b>Bump Rail</b>           | Single-Piece Formed 2" Tubing          | <b>Elec. Plug</b>    | 7-Way RV  |
| <b>Frame</b>               | 5" x 3" x 5/16" Angle                  | <b>Finish (Prep)</b> | Steel is Cleaned to Ensure a Professional Smooth Finish.                          |
| <b>Crossmembers</b>        | 3" x 2" x 3/16" Angle                  |                      |   |
| <b>Uprights</b>            | None                                   | <b>Finish</b>        | Superior Quality Finish is Applied for a Highly Decorative and Protective Finish. |
| <b>Fenders</b>             | 9" x 72" Tear Drop w/ Back (Bolted On) |                      |   |

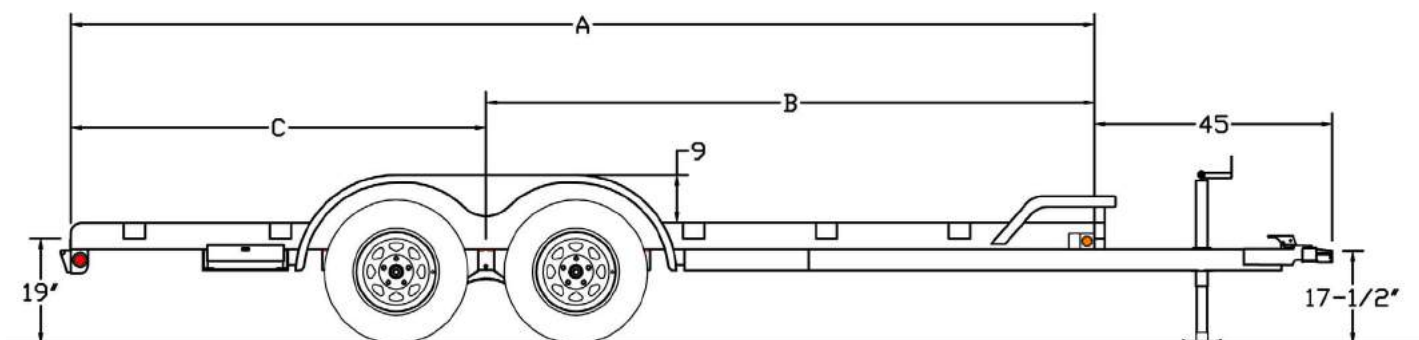
\* Douglas Fir Available from Caldwell, ID Facility Only

## Standard Features

- Tie Down Pockets Along Sides & Front
- Forged, 7,000# Coupler
- Fold Back/Wrap Tongue (14' & Longer)
- Set-Back Jack
- EZ Lube Hubs
- Dexter Brand Axles
- Nev-R-Adjust Electric Brakes
- Cambered Axles
- 2" Formed Front Stop Rail
- Removable Tear Drop Style Fenders
- Grommet Mount Sealed Lighting
- L.E.D. Lighting Package
- Protected Wiring
- Removable Sand Foot on Jack
- Complete Break-A-Way System w/Charger
- Radial Tires **NEW!**

## Description

| Dimensions |          |      |         |
|------------|----------|------|---------|
| Length     | A        | B    | C       |
| 12'        | 145-1/2" | 85"  | 60-1/2" |
| 14'        | 169-1/2" | 103" | 66-1/2" |
| 16'        | 193-1/2" | 115" | 78-1/2" |
| 18'        | 217-1/2" | 127" | 90-1/2" |
| 20'        | 240"     | 138" | 102"    |



# 70CH Tandem Axle Car Hauler ●



Shown with optional slide-in ramps and spare tire mount

| ◆ Model | Weight* | Description                      |
|---------|---------|----------------------------------|
| 70CH-12 | 1,460#  | 83" x 12' Tandem Axle Car Hauler |
| 70CH-14 | 1,610#  | 83" x 14' Tandem Axle Car Hauler |
| 70CH-16 | 1,760#  | 83" x 16' Tandem Axle Car Hauler |
| 70CH-18 | 1,910#  | 83" x 18' Tandem Axle Car Hauler |
| 70CH-20 | 2,060#  | 83" x 20' Tandem Axle Car Hauler |

\*Weights shown are for base models without options and are estimates only

## Optional Equipment

| Category      | Description   |
|---------------|---|
| COUPLERS      | 2-5/16" Stamped Coupler                             |
| COUPLERS      | 2-5/16" Forged Coupler                              |
| JACKS         | 2,000# Fold-Up Jack                                 |
| JACKS         | 7,000# Drop-Leg Jack                                |
| BRAKES        | Electric Brakes on 2nd Axle                         |
| BRAKES        | Hydraulic Surge Brakes 1 Axle w/Balcrank Actuator   |
| BRAKES        | Hydraulic Surge Brakes 2 Axles w/ Balcrank Actuator |
| TIRE/WHEEL    | Spare Tire Mount (Side)                             |
| TIRE/WHEEL    | Spare Tire (ST205/75R-15 LR-C)                      |
| TIRE/WHEEL    | Tire Upgrade (ST225/75R-15 LR-D)                    |
| TIRE/WHEEL    | Spare Tire Upgrade (ST225/75R-15 LR-D)              |
| RAMPS         | 4' Slide-In Angle Ramps                             |
| BODY          | Dovetail in Existing Length (16', 18', 20' Only)    |
| BODY          | Raised Car Hauler Floor (Wood Flush w/ Frame)       |
| BODY          | 1/8" Diamond Plate Steel Floor (Per Square Foot)    |
| CARGO CONTROL | Additional Tie Down Pockets (Each)                  |