

140D/GN Over The Axle Dump

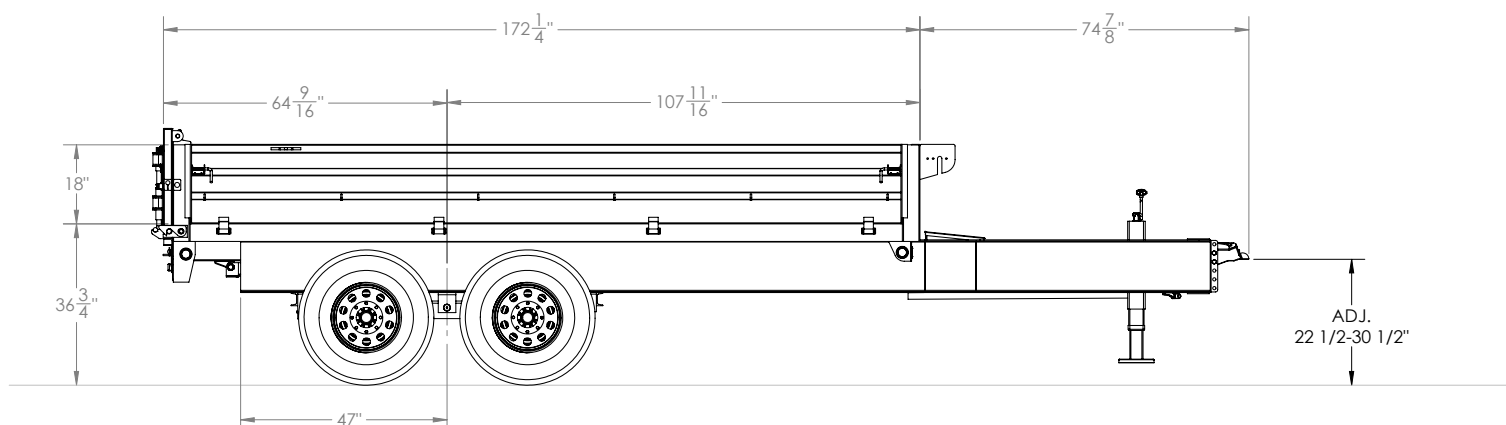
G.V.W.R.	14,000#	Axles	(2) 7,000# EZ Lube w/Elec. Brake
G.A.W.R. (Ea. Axle)	7,000#	Supension	Multi-Leaf Slipper Spring w/Equalizer
Coupler	2-5/16" Adjustable Cast - OD 2-5/16" Adjustable Pipe - OD GN	Tire	ST235/80 R-16 Load Range E
Safety Chains	3/8" Grd. 70 w/Safety Latch Hook (2 each)	Wheel	16" x 6"; HD White Mod 8 Bolt
Jack	OD-12,000# Top Wind Drop Leg OD GN-Dual 12,000# Side Wind Drop Legs	Floor	10 Gauge Smooth Steel
Tongue/Neck	12" I-Beam	Lights	L.E.D. D.O.T. Stop, Tail, Turn & Clearance
Frame	12" I-Beam	Elec. Plug	7-Way RV
Crossmembers	4" I-Beam and 3" x 3" Tube	Finish (Prep)	Steel is Cleaned to Ensure a Professional Smooth Finish.
Bed Crossmembers	3" Channel	Finish	Superior Quality Finish is Applied for a Highly Decorative and Protective Finish.
Bed Long Sils	5" Channel		
Bed Side Rails	4" x 3" Angle		

Standard Features

- Lockable Pump & Battery Box Mounted in Front of Bed
- J-Hooks for Tie Down
- Fully Formed Shroud for Tarp
- Self Contained Electric/Hydraulic Scissor Lift
- 45 Degree Dump Angle
- Combo Gate
- 18", 10 Ga. Fold Down Sides
- 10 Ga. Floor
- Stake Pockets (Sides & Front)
- EZ Lube Hubs
- Dexter Brand Axles
- 7' Rear Slide-In Ramps- Standard Equipped
- (4) 5/8" D-Rings Inside Bed
- Nev-R-Adjust Electric Brakes
- Cambered Axles
- Spare Tire Mount
- 110V Charger
- Grommet Mount Sealed Lighting
- L.E.D. Lighting Package
- Modular Sealed Wiring Harness
- Complete Break-A-Way System w/Charger
- Radial Tires
- Crank Style Roll Tarp- Standard Equipped

Description

Weights & Capacities			
Length	Empty Weight	Payload	Box Capacity
14OD-14	4,550#	9,450#	6.2 Cubic Yards
14OD-14-GN	5,070#	8,930#	6.2 Cubic Yards



*Weights and cargo capacities shown are for base models without options and are estimates only

140D/GN Over The Axle Dump ●



Model	Weight*	Description
140D	4,550#	96" x 14' Over the Axle Bumper Pull Dump
140D-GN	5,070#	96" x 14' Over the Axle Gooseneck Dump

*Weights shown are for base models without options and are estimates only

Optional Equipment

Category	Description
TIRE/WHEEL	Spare Tire (ST235/80-16 LR-E)
TIRE/WHEEL	Tire Upgrade (ST235/85 R-16 LR-G)
TIRE/WHEEL	Spare Tire Upgrade (ST235/85 R-16 LR-G)
POWER	Wireless Remote
POWER	5 Watt Solar Charger
CARGO CONTROL	Crank Style Roll Tarp